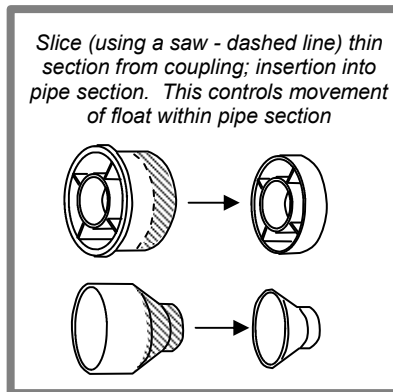
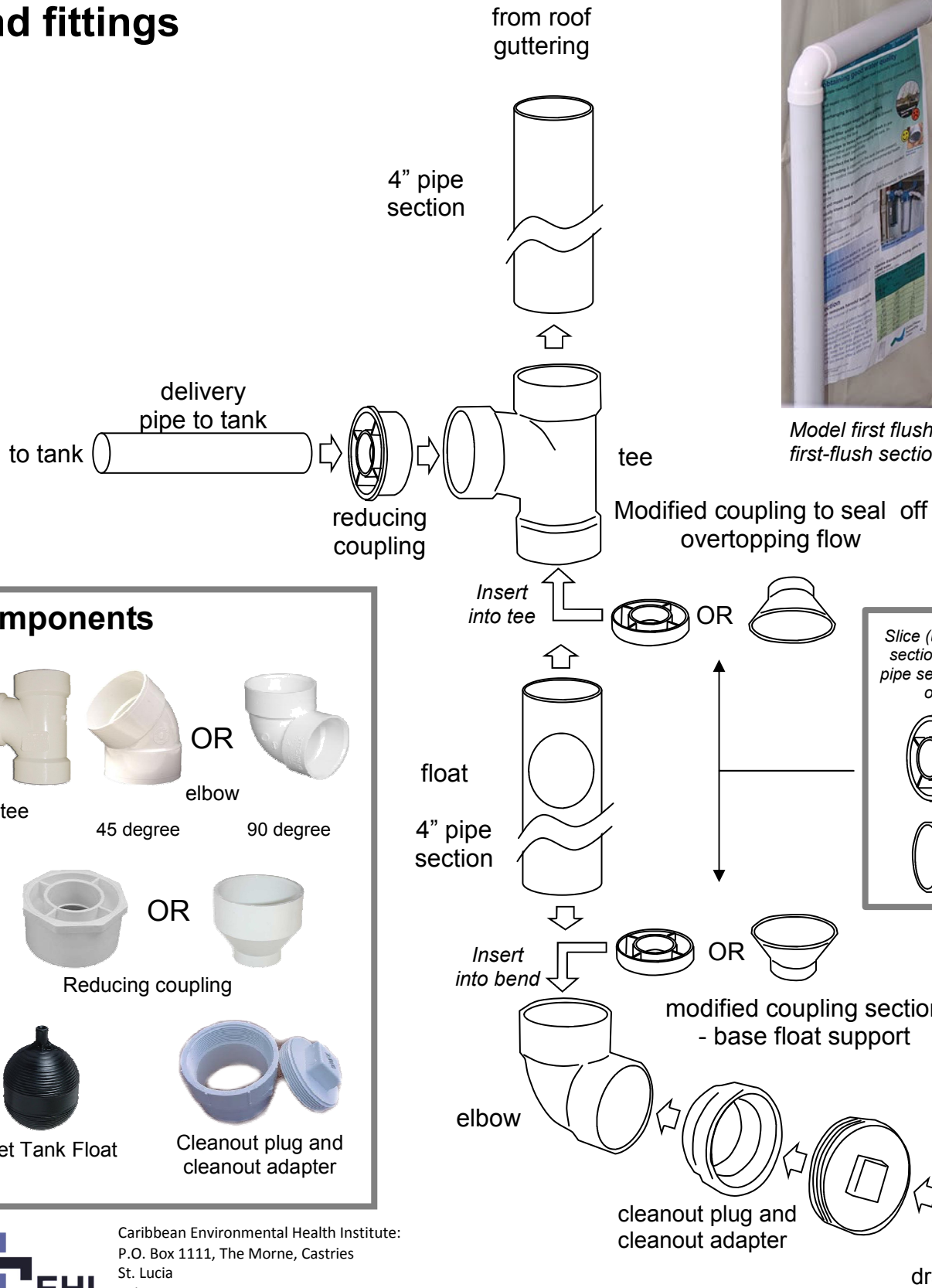


First-flush assembly

Float valve type using standard 4" PVC pipe and fittings



Model first flush (with transparent first-flush section)

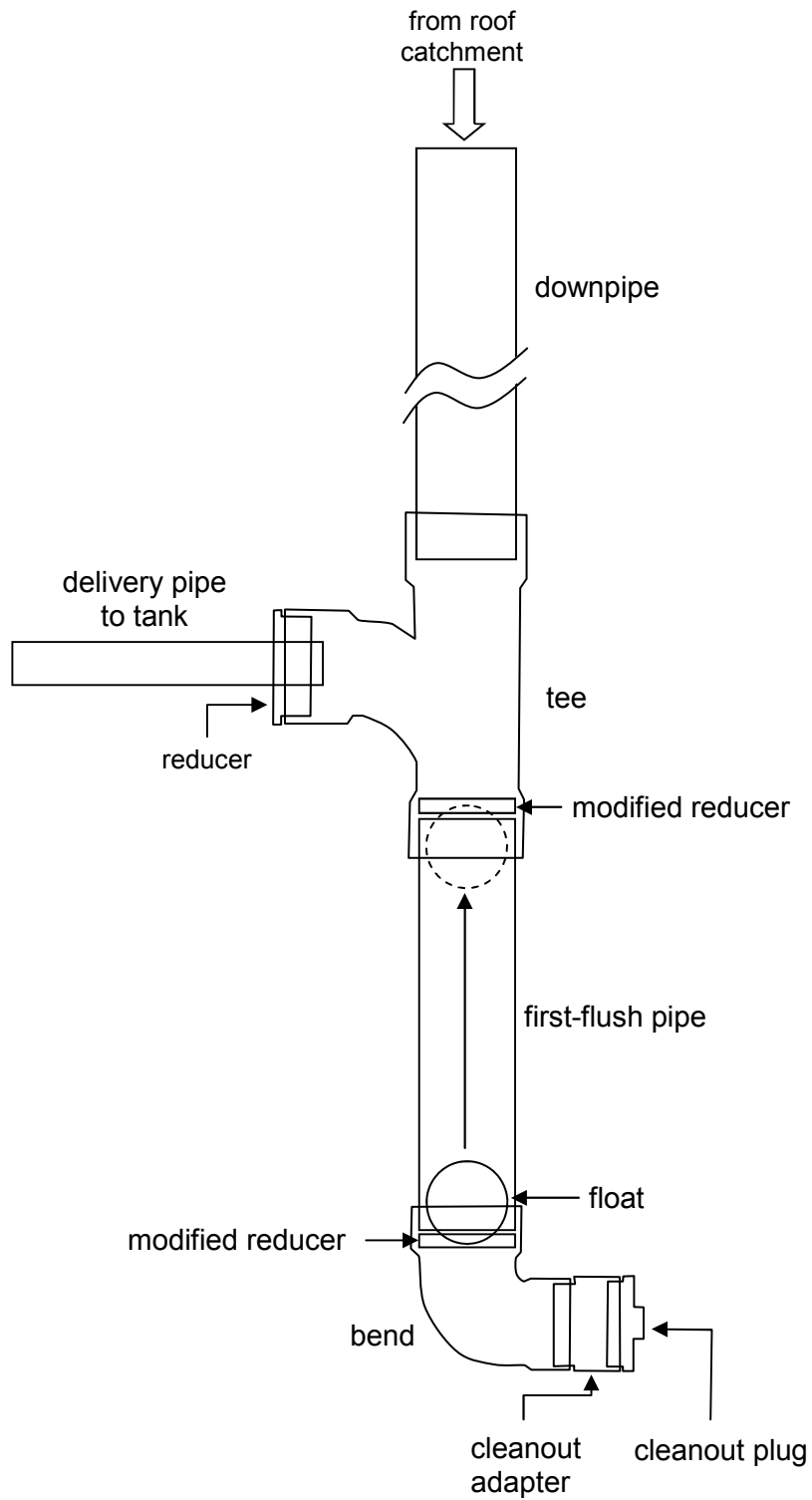


Components

- tee
- 45 degree elbow
- 90 degree elbow
- Reducing coupling
- Toilet Tank Float
- Cleanout plug and cleanout adapter



Caribbean Environmental Health Institute:
 P.O. Box 1111, The Morne, Castries
 St. Lucia
 Tel: +758-452-2501
 Fax: +758-453-2721
 E-mail: cehi@candw.lc
 Website: www.cehi.org.lc



Caribbean Environmental Health Institute:

P.O. Box 1111, The Morne, Castries

St. Lucia

Tel: +758-452-2501

Fax: +758-453-2721

E-mail: cehi@candw.lc

Website: www.cehi.org.lc

